

Shinhoo®

CIRCULATION PUMPS 60HZ



Shinhoo 新沪

HEFEI XINHU CANNED MOTOR PUMP CO., LTD
No.1 Yanglin Road, Hi-Tech District, Hefei, Anhui, 230088, China
Tel: +86 551 62379803/07 Fax: +86 551 62379801 Web: www.shinhoodump.com

Published in Jan. 2018
(Our company has the finally right for the instruction of explanation and amendment.)

Adopt ecotypic paper to print

Applications



GPD series circulator pump, researched and developed by scientific research personnel of our company has following merits : low noise, low leakage, environmental protection, elegant appearance, easy installation, reliable operation and so on. It can be used for single and double-heating systems and large-scale mixed-loop system. It also can be used to supply water and add pressure for mansion of city, villa of suburb, house to match with industrial equipment, to supply water in cycle for cooling air-condition, boiler and solar energy, supply hot water and keep warm in cycle, etc.

Running Conditions

- Power Source: Voltage 115V-230V, Frequency: 60Hz.
- The greatest pressure of the system: No more than 145psi (10bar)
- To avoid NHP damage to the pump bearing, pumps should be maintained the minimum pressure: (In a pressure system, the required inlet pressure is the allowable system pressure. In a system open to the atmosphere, the required inlet pressure is the minimum distance the pump must be located below the lowest possible water level of the water source.

Liquid Temperature	185°F (85°C)	194°F (90°C)	230°F (110°C)
Entrance Pressure	2 ft (0.6m) Head	10 ft (3m) Head	33 ft (10m) Head
	0.7psi (0.05bar)	4psi (0.28bar)	14.5psi (1bar)

- Transmission Fluid: Lean, clean, non-corrosive and non-explosive liquids, and without any solid particles, fibers or mineral oil. Pump absolutely must not be used to transport flammable liquids such as diesel and petrol.

- The pumps should work under air temperature of the environment range of 32°F (0°C) ~ 104°F (40°C), liquid temperature range of 36°F (2°C) ~ 230°F (110°C). And the ambient temperature should always be lower than the liquid temperature. (One special model: GPD25-12SF, the highest liquid temperature is 150°F (66°C). Note: If the pump is equipped with a timer, the maximum liquid temperature is 150°F (66°C).

Product Selection

- Users can choose models of pump according to the flow, head, power, current etc.
- The pumps have union connection, flange connection and sweat connection. If customers have some special request, we can design it for you.
- Material of pump body is usually cast iron, generally used under these conditions, considered to be closed systems pumping water or water/glycol mixtures.
- If the water conditions exist are not compatible with cast iron, we recommend the bronze or stainless steel, such as the heating system or cycling the potable water in the open system.

Structure of Pumps

- The main parts of the pump are: pump body, impeller, stator, rotor, shielding sets, gas screws and so on.
- Sealing: The pump doesn't use mechanical seal. Stator and rotor are sealed with stainless steel shield.

Overall Structure is shielded with two heat-resistant rubber gasket sealed to avoid leakage.

- Lubrication and Cooling: The pump used in inline cycle, the bearing is lubricated and cooled by water.
- Motor: The motor is a 2-pole asynchronous squirrel-cage PSC motor. It is class H insulation and equipped with thermal protection. GPD series are single-speed, GPD-S series are three-speed. GPD series can be equipped with timer control to fix the time that pump works. Motor horsepower range from 1/25 to 1/6, and power consumption from 25W to 335W.

Installation

The pump must always be installed with the horizontal shaft.

GPD series pumps are intended for indoor use only.

Demonstration of the model:

The models of the pumps are indicated with the capital letter and Arabic number, its significance is as follows:

G P D 15 -6 S () F C

GPD-----GPD series pump

15-----The diameter of the suction

6-----The maximum head of the pump

S-----Three-gear motor, single gear omitted

()-----Pump material

F-----Pipe connection: F----flange;

FR---Vertical Flange;

U---Union;

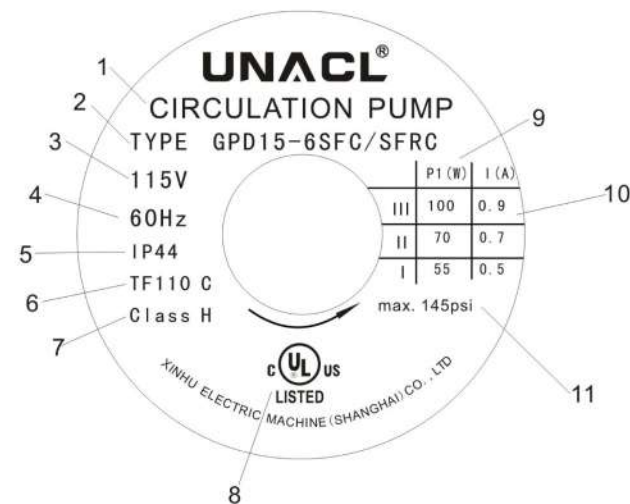
Empty---Sweat;

2-----1/2 r

C-----Special Parts: C-----Check valve;

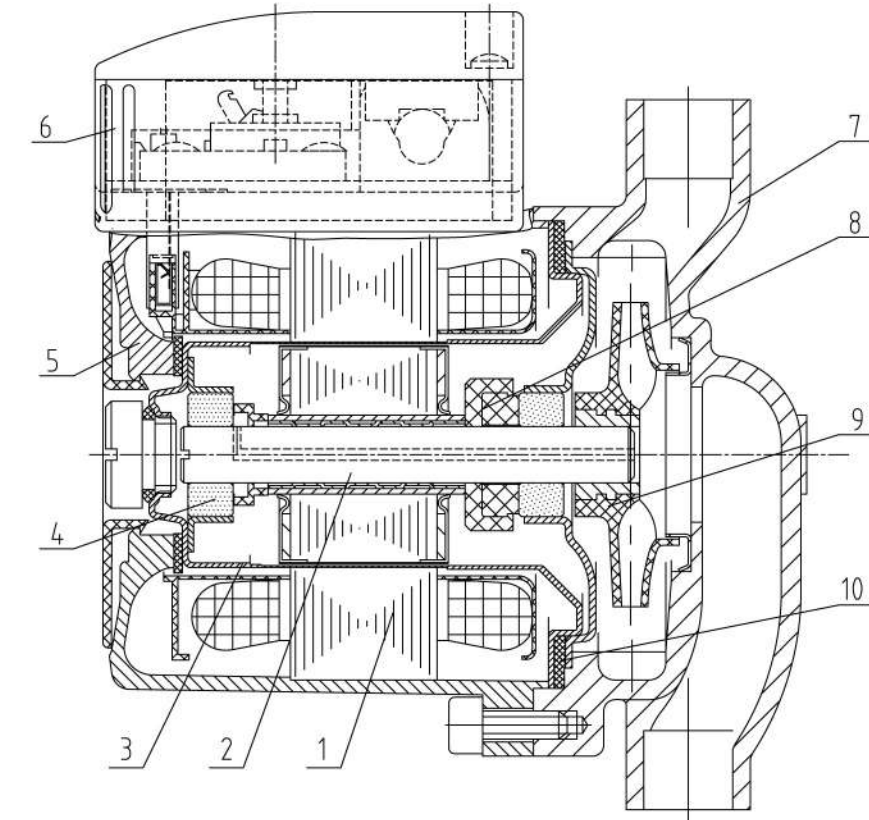
T-----Timer

Nameplate Description



Description of Nameplate	
No.	Description
1、	Circulating Pump
2、	Pump Type, GPD15-6SFC/SFRC
3、	Voltage, 115V
4、	Frequency, 60Hz
5、	Protection Grade, IP44
6、	Highest Liquid Temperature, 110°C
7、	Insulation Class, H
8、	Approval
9、	Power
10、	Current
11、	Maximum System Pressure

Structural Diagram



No.	Spare Parts	Material
1	Stator	Cold rolled silicon steel plate
2	Shaft	Ceramic
3	Shield Cover	Stainless steel
4	Bearing	Ceramic
5	Stator Housing	Aluminium
6	Terminal Box	Composite
7	Pump Housing(Volute)	Cast iron/bronze/stainless steel
8	Thrust Bearing	Graphite
9	Impeller	Composite
10	O-ring and gaskets	EPDM Rubber

Xinhu GPD Series VS. Grundfos

Page	Xinhu Model	Grundfos Model	Power (W)	Connection	Pump Length (In.)	Material			Voltage	
						Bronze	Stainless steel	Cast Iron	115V	230V
P09	GPD15-2B2	UP15-10B5	25	1/2"Sweat	5	●			●	
P10	GPD15-2B4	UP15-10B7		3/4"Sweat	6 3/8	●			●	
P11	GPD15-2BUC2	UP15-10BUC5	25	1/2"Sweat	6 1/2	●			●	
P12	GPD15-2BUC4	UP15-10BUC7		3/4"Sweat	7 3/4	●			●	
P13	GPD15-2F	UP15-10F	25	Flanged	6 1/2			●	●	
P13	GPD15-2FR	UP15-10FR		Fling-R	6 1/2			●	●	
P14	GPD15-2NU4P	UP15-10SU7P	25	3/4"Sweat	5 7/16		●		●	
P09	GPD15-4B2	UP15-18B5,UP15-42B5	85	1/2"Sweat	5	●			●	●
P10	GPD15-4B4	UP15-18B7,UP15-42B7	85	3/4"Sweat	6 3/8	●			●	●
P11	GPD15-4BUC2	UP15-18BUC5,UP15-42BUC5	85	1/2"Sweat	6 1/2	●			●	●
P12	GPD15-4BUC4	UP15-18BUC7,UP15-42BUC7		3/4"Sweat	7 3/4	●			●	●
P15	GPD15-3.5SNFC	UP15-18SF,UP15-29SF,UP15-35SFC	65	Flanged	6 1/2		●		●	●
P16	GPD15-3.5SNUC	UP15-29SU,UP15-35SUC	65	1 1/4"Sweat	5 7/8		●		●	●
P17	GPD15-4SFC	UP15-42F,UPS15-42F	85	Flanged	6 1/2			●	●	●
P17	GPD15-4SFRC	UP15-42FR,UPS15-42FR	85	Fling-R	6 1/2			●	●	●
P15	GPD15-5.5SNFC	UPS15-55SFC	85	Flanged	6 1/2		●		●	●
P16	GPD15-5.5SNUC	UPS15-55SUC,UP15-55SUC	85	1 1/4"Sweat	5 7/8		●		●	●
P18	GPD15-6SFC	UPS15-58FC	100	Flanged	6 1/2			●	●	●
P18	GPD15-6SFRC	UPS15-58FRC	100	Fling-R	6 1/2			●	●	●
P19	GPD15-10F	UP15-100F	120	Flanged	6 1/2			●	●	●
P20	GPD25-7.5SFC	UP26-64F	185	Flanged	6 1/2	●		●	●	●
P20	GPD25-10SFC	UP26-96F,UP26-99F,UPS26-99FC	200	Flanged	6 1/2	●		●	●	●
P21	GPD25-12F	UP26-116F,UP26-116BF	335	Flanged	6 1/2	●		●		●
P22	GPD25-12U	UP26-120U	230	1 1/4"Sweat	7 1/16			●	●	●
P23	GPD40-4SFC	UP43-44F,UP43-44BF,UPS43-44FC,UPS43-44BFC	200	Flanged	8 1/2	●		●	●	●
P23	GPD40-7.5SF	UP43-75F,UP43-75BF	230	Flanged	8 1/2	●		●	●	●
P24	GPD50-4SF	UP50-44F,UPS50-44F	200	Flanged	8 1/2			●	●	●
P24	GPD50-7.5F	UP50-75F	230	Flanged	8 1/2			●	●	●

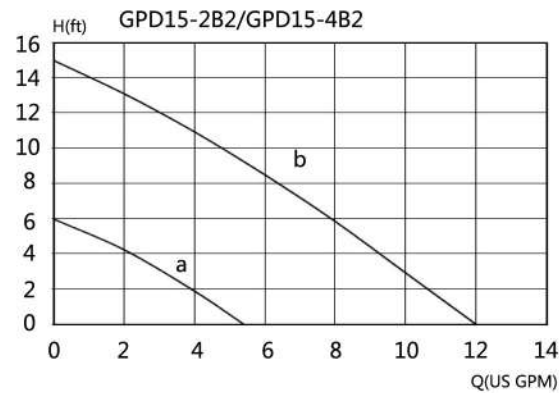
Model Type:GPD15-4B2,GPD15-2B2



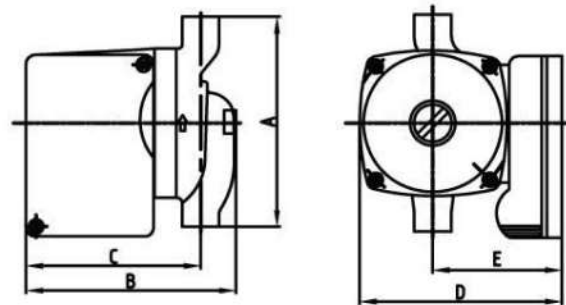
• Note

- 1、motors: 2-pole.single-phase
 - 2、Liquid Temperature:32°F~230°F (0°C~110°C)
 - 3、Max.system pressure:145psi(1MPa)
 - 4、Special features : Timer , the maximum liquid temperature is 150°F (66°C)
- Power cord : have a 6-foot 3-prong power cord.

• Performance Curve



• Installation Drawing: 1/2" sweat



• Performance Parameter Form

Model Type	Flow range(gpm)	Head range(feet)	Votls(V)	Amps(A)	Watts(W)	Capacitor	Curve	System type	Grundfos Model
GPD15-2B2	5.5	6	115	0.22	25	2uf/450V	a	Open	UP15-10B5
GPD15-4B2	12	15	115	0.74	85	10uf/250V	b	Open	UP15-42B5
			230	0.37	85	2uf/450V			UP15-18B5

• Installation Size Form

Model type	A	B	C	D	E	F	Connection type and size	Shipping weight(ibs)
GPD15-2B2	5	5	4	4 3/4	3		1/2" sweat	5.5
GPD15-4B2								

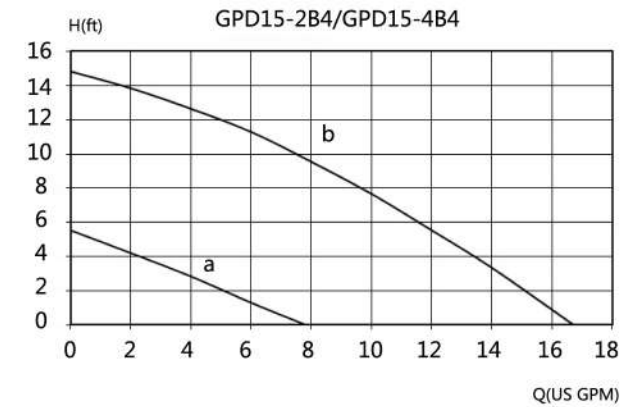
Model Type:GPD15-2B4,GPD15-4B4



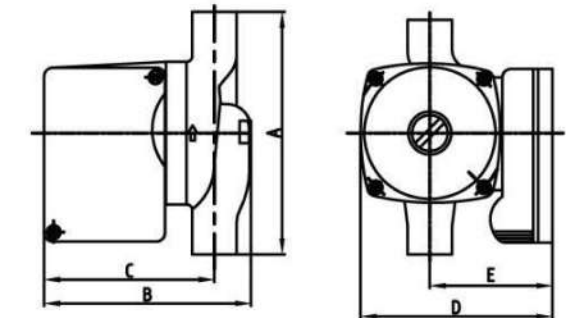
• Note

- 1、motors: 2-pole.single-phase
 - 2、Liquid Temperature:32°F~230°F (0°C~110°C)
 - 3、Max.system pressure:145psi(1MPa)
 - 4、Special features : Timer , the maximum liquid temperature is 150°F (66°C)
- Power cord : have a 6-foot 3-prong power cord.

• Performance Curve



• Installation Drawing: 3/4" sweat



• Performance Parameter Form

Model Type	Flow range(gpm)	Head range(feet)	Votls(V)	Amps(A)	Watts(W)	Capacitor	Curve	System type	Grundfos Model
GPD15-2B4	8	6	115	0.22	25	2uf/450V	a	Open	UP15-10B7
GPD15-4B4	16	15	115	0.74	85	10uf/250V	b	Open	UP15-18B7
			230	0.37	85	2uf/450V			UP15-42B7

• Installation Size Form

Model type	A	B	C	D	E	F	Connection type and size	Shipping weight(ibs)
GPD15-2B4	6 3/8	5 1/8	4	4 7/8	3		3/4" sweat	6
GPD15-4B4								

Model Type:GPD15-2BUC2,GPD15-4BUC2

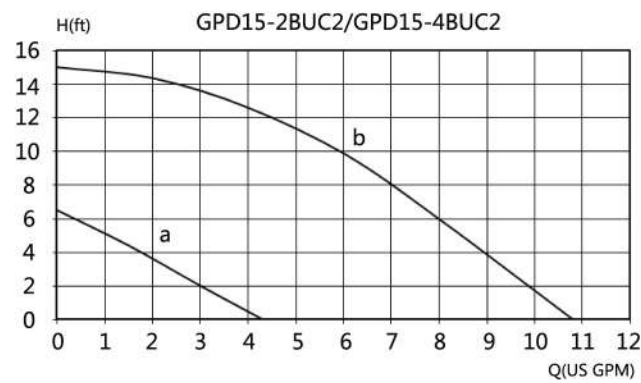


• Note

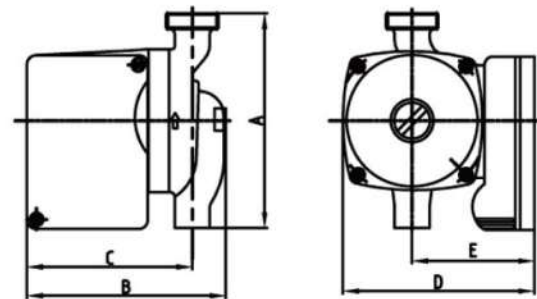
- 1、 motors: 2-pole.single-phase
- 2、 Liquid Temperature:32°F~230°F (0°C~110°C)
- 3、 Max.system pressure:145psi(1MPa)
- 4、 Special features : Timer , the maximum liquid temperature is 150°F (66°C)

Power cord : have a 6-foot 3-prong power cord.

• Performance Curve



• Installation Drawing



• Performance Parameter Form

Model Type	Flow range(gpm)	Head range(feet)	Votls(V)	Amps(A)	Watts(W)	Capacitor	Curve	System type	Grundfos Model
GPD15-2BUC2	4.2	6.5	115	0.22	25	2uf/450V	a	Open	UP15-18BUC5
GPD15-4BUC2	10.5	15	115	0.74	85	10uf/250V	b	Open	UP15-42BUC5
			230	0.37	85	2uf/450V			

• Installation Size Form

Model type	A	B	C	D	E	F	Connection type and size	Shipping weight(ibs)
GPD15-2BUC2	6 1/2	5	4	4 3/4	3		1/2" sweat	6 1/2
GPD15-4BUC2								

Model Type:GPD15-4BUC4,GPD15-2BUC4

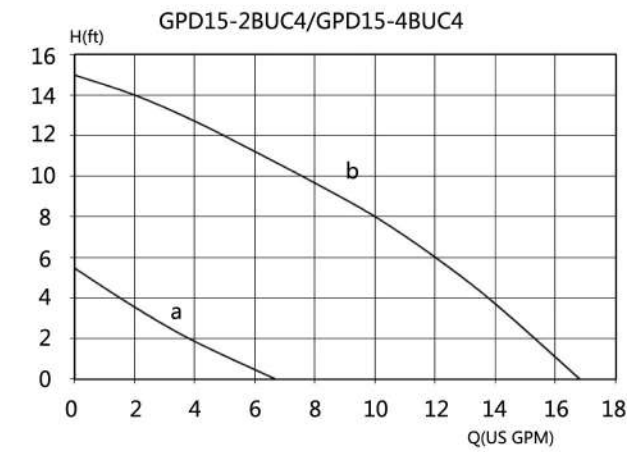


• Note

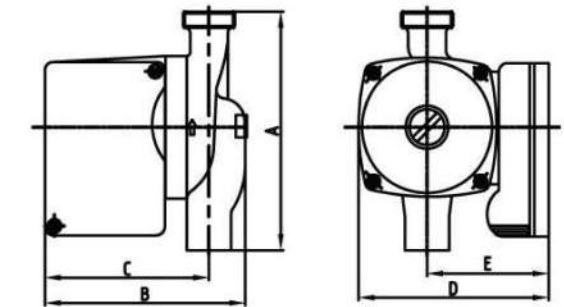
- 1、 motors: 2-pole.single-phase
- 2、 Liquid Temperature:32°F~230°F (0°C~110°C)
- 3、 Max.system pressure:145psi(1MPa)
- 4、 Special features : Timer , the maximum liquid temperature is 150°F (66°C)

Power cord : have a 6-foot 3-prong power cord.

• Performance Curve



• Installation Drawing



• Performance Parameter Form

Model Type	Flow range(gpm)	Head range(feet)	Votls(V)	Amps(A)	Watts(W)	Capacitor	Curve	System type	Grundfos Model
GPD15-2BUC4	6.5	6.5	115	0.22	25	2uf/450V	a	Open	UP15-10BUC7
GPD15-4BUC4	17	15	115	0.74	85	10uf/250V	b	Open	UP15-18BUC7
			230	0.37	85	2uf/450V			UP15-42BUC7

• Installation Size Form

Model type	A	B	C	D	E	F	Connection type and size	Shipping weight(ibs)
GPD15-2BUC4	7 3/4	5 1/4	4	4 3/4	3		3/4" sweat	7
GPD15-4BUC4								

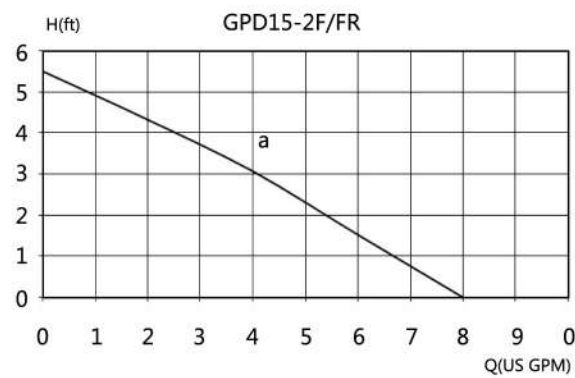
Model Type:GPD15-2F/FR



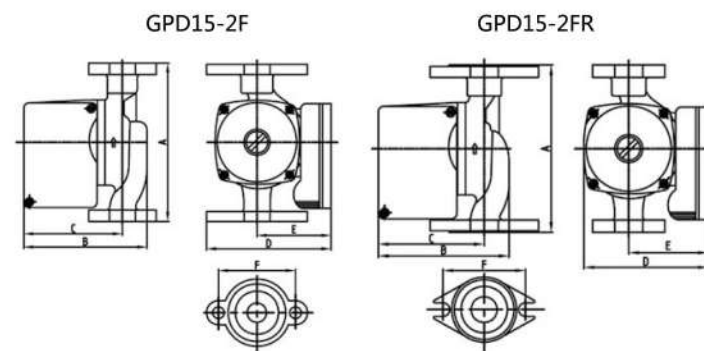
• Note

- 1、 motors: 2-pole.single-phase
- 2、 Liquid Temperature:32°F~230°F (0°C~110°C)
- 3、 Max.system pressure:145psi(1MPa)

• Performance Curve



• Installation Drawing



• Performance Parameter Form

Model Type	Flow range(gpm)	Head range(feet)	Votls(V)	Amps(A)	Watts(W)	Capacitor	Curve	System type	Grundfos Model
GPD15-2F/FR	8	5.5	115	0.22	25	2uf/450V	a	Closed	UP15-10F/FR

• Installation Size Form

Model type	A	B	C	D	E	F	Connection type and size	Shipping weight(ibs)
GPD15-2F	6 1/2	5 2/5	4	5 1/16	3	3 5/32	GF 15 flange (2) 1/2" dia. bolt boles	7
GPD15-2FR	6 1/2	6	4	4 7/8	3	3 5/32		

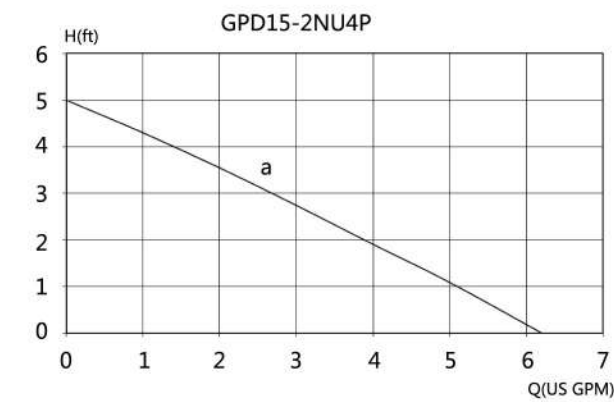
Model Type:GPD15-2NU4P



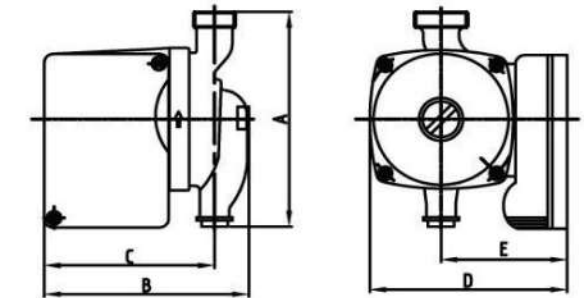
• Note

- 1、 motors: 2-pole.single-phase
 - 2、 Liquid Temperature:32°F~230°F (0°C~110°C)
 - 3、 Max.system pressure:145psi(1MPa)
 - 4、 Special features : Timer , the maximum liquid temperature is 150°F (66°C)
- Power cord : have a 6-foot 3-prong power cord.

• Performance Curve



• Installation Drawing



• Performance Parameter Form

Model Type	Flow range(gpm)	Head range(feet)	Votls(V)	Amps(A)	Watts(W)	Capacitor	Curve	System type	Grundfos Model
GPD15-2NU4P	6	5	115	0.22	25	2uf/450V	a	Open	UP15-10SU7P/TLC

• Installation Size Form

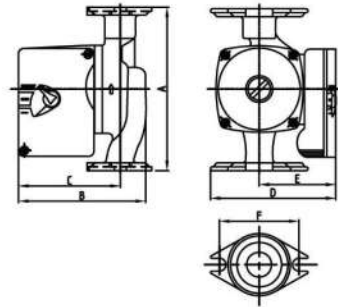
Model type	A	B	C	D	E	F	Connection type and size	Shipping weight(ibs)
GPD15-2NU4P	5 7/16	5	4	5 3/8	3		3/4" Mx3/4" F NPT	5

Model Type:GPD15-5.5SNFC,GPD15-3.5SNFC

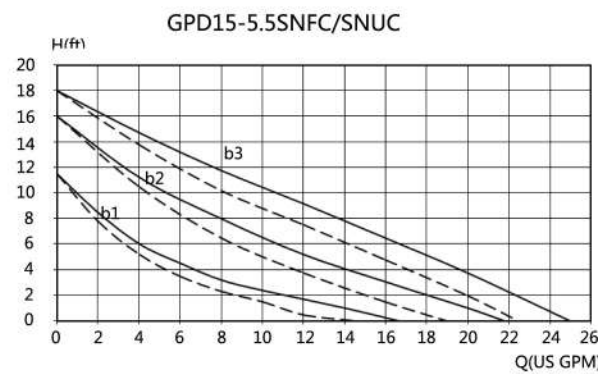
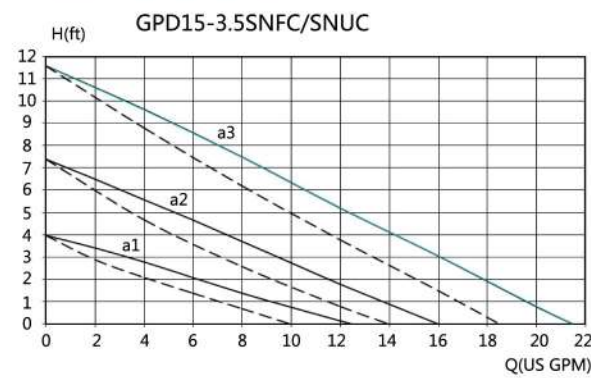


- Note
 - 1、 motors: 2-pole.single-phase
 - 2、 Liquid Temperature:32°F~230°F (0°C~110°C)
 - 3、 Max.system pressure:145psi(1MPa)
 - 4、 Special features : Timer , the maximum liquid temperature is 150°F (66°C)
- Power cord : have a 6-foot 3-prong power cord.

• Installation Drawing



• Performance Curve



"——" without check valve, "-----"with check valve

• Performance Parameter Form

Model Type	Flow range(gpm)	Head range(feet)	Votts(V)	Amps(A)	Watts(W)	Capacitor	Curve	System type	Grundfos Model
GPD15-3.5SNFC	21	12	115	0.56/0.44/0.3	65/50/32	8UF/250V	a3/a2/a1	Open	UP15-18SF
			230	0.28/0.22/0.15	65/50/32	2uf/450V			UP15-29SF UP15-35SFC
GPD15-5.5SNFC	25	18	115	0.74/0.6/0.44	85/60/40	10uf/250V	b3/b2/b1	Open	UP15-55SFC
			230	0.37/0.3/0.22	85/60/40	2.5uf/450V			

• Installation Size Form

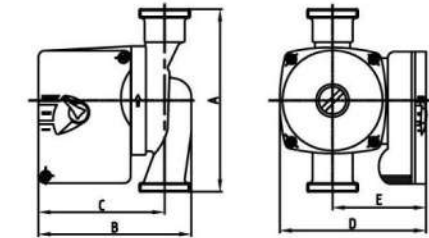
Model type	A	B	C	D	E	F	Connection type and size	Shipping weight(ibs)
GPD15-3.5SNFC	6 1/2	5	4 1/8	3 1/2	3	3 1/8	GF 15 flange (2) 1/2" dia. bolt boles	6
GPD15-5.5SNFC								

Model Type:GPD15-5.5SNUC,GPD15-3.5SNUC

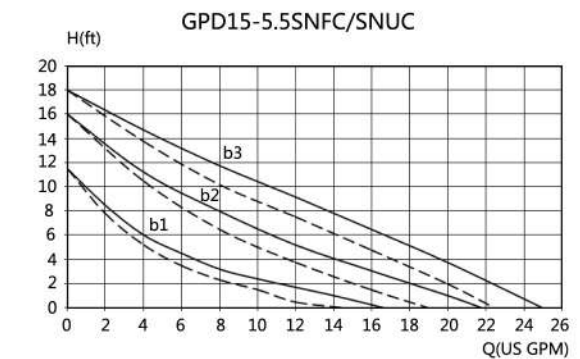
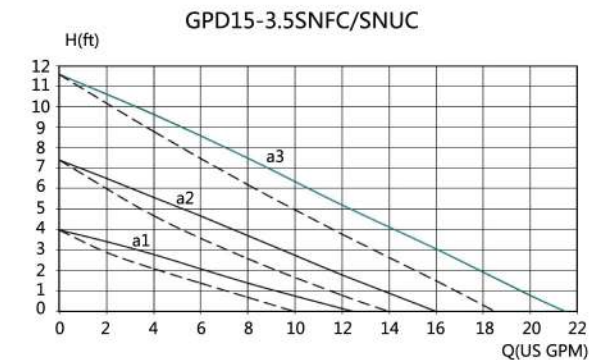


- Note
 - 1、 motors: 2-pole.single-phase
 - 2、 Liquid Temperature:32°F~230°F (0°C~110°C)
 - 3、 Max.system pressure:145psi(1MPa)
 - 4、 Special features : Timer , the maximum liquid temperature is 150°F (66°C)
- Power cord : have a 6-foot 3-prong power cord.

• Installation Drawing



• Performance Curve



"——" without check valve, "-----"with check valve

• Performance Parameter Form

Model Type	Flow range(gpm)	Head range(feet)	Votts(V)	Amps(A)	Watts(W)	Capacitor	Curve	System type	Grundfos Model
GPD15-3.5SNUC	21	12	115	0.56/0.44/0.3	65/50/32	8UF/250V	a3/a2/a1	Open	UP15-29SUC
			230	0.28/0.22/0.15	65/50/32	2uf/450V			UP15-55SUC
GPD15-5.5SNUC	25	18	115	0.74/0.6/0.44	85/60/40	10uf/250V	b3/b2/b1	Open	UP15-55SUC
			230	0.37/0.3/0.22	85/60/40	2.5uf/450V			

• Installation Size Form

Model type	A	B	C	D	E	F	Connection type and size	Shipping weight(ibs)
GPD15-3.5SNUC	5 14/16	5	4 1/8	4 3/4	3		GU125	5.4
GPD15-5.5SNUC								

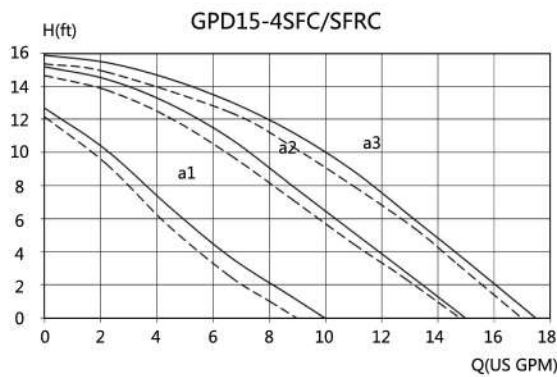
Model Type:GPD15-4SF(R)C



• Note

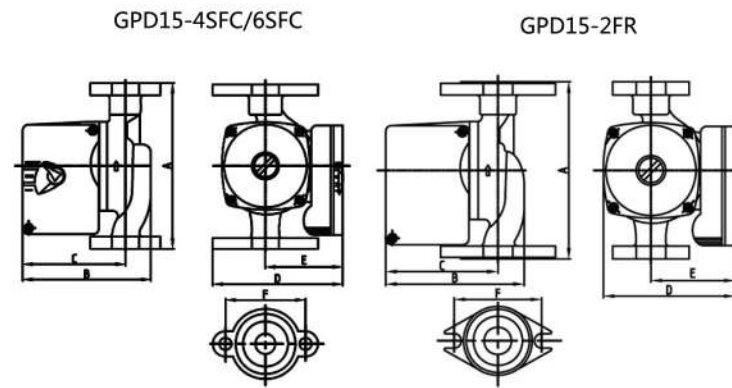
- 1、motors: 2-pole.single-phase
- 2、Liquid Temperature:36°F~230°F (2°C~110°C)
- 3、Max.system pressure:145psi(1MPa)
- 4、can provide bronze pump body for open-type system

• Performance Curve



"——" without check valve, "-----"with check valve

• Installation Drawing



• Performance Parameter Form

Model Type	Flow range(gpm)	Head range(feet)	Votls(V)	Amps(A)	Watts(W)	Capacitor	Curve	System type	Grundfos Model
GPD15-4SFC/SFRC	17.5	15.5	115	0.74/0.6/0.44	85/60/40	10UF/250V	a3/a2/a1	Closed	UPS15-42FR
			230	0.37/0.3/0.22	85/60/40	2uf/450V			

• Installation Size Form

Model type	A	B	C	D	E	F	Connection type and size	Shipping weight(ibs)
GPD15-4SFC	6 1/2	5 2/5	4	5 1/16	3	3 5/32	GF 15 flange (2) 1/2" dia. bolt boles	7 1/4
GPD15-4SFRC	6 1/2	6	4	4 7/8	3	3 5/32		

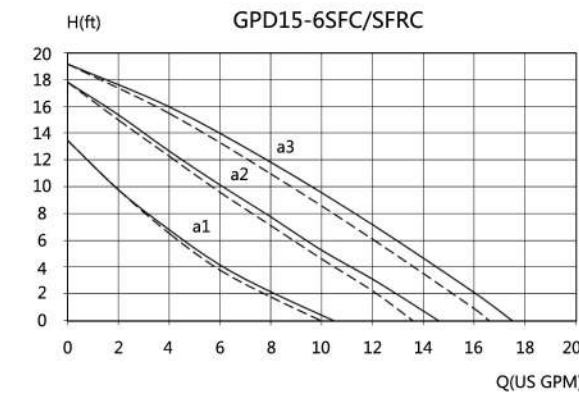
Model Type:GPD15-6SF(R)C



• Note

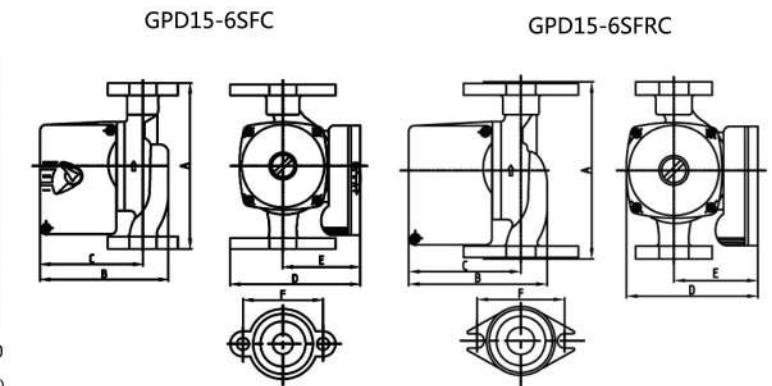
- 1、motors: 2-pole.single-phase
- 2、Liquid Temperature:32°F~230°F (0°C~110°C)
- 3、Max.system pressure:145psi(1MPa)
- 4、can provide bronze pump body for open-type system

• Performance Curve



"——" without check valve, "-----"with check valve

• Installation Drawing



• Performance Parameter Form

Model Type	Flow range(gpm)	Head range(feet)	Votls(V)	Amps(A)	Watts(W)	Capacitor	Curve	System type	Grundfos Model
GPD15-6SFC/SFRC	17	19	115	0.9/0.7/0.5	100/70/55	10uf/250V	a3/a2/a1	Closed	UPS15-58FC/FRC
			230	0.45/0.35/0.25	100/70/55	2.5uf/450V			

• Installation Size Form

Model type	A	B	C	D	E	F	Connection type and size	Shipping weight(ibs)
GPD15-6SFC	6 1/2	5 2/5	4	5 1/16	3	3 5/32	GF 15 flange (2) 1/2" dia. bolt boles	7 1/4
GPD15-6SFRC	6 1/2	6	4	4 7/8	3	3 5/32		

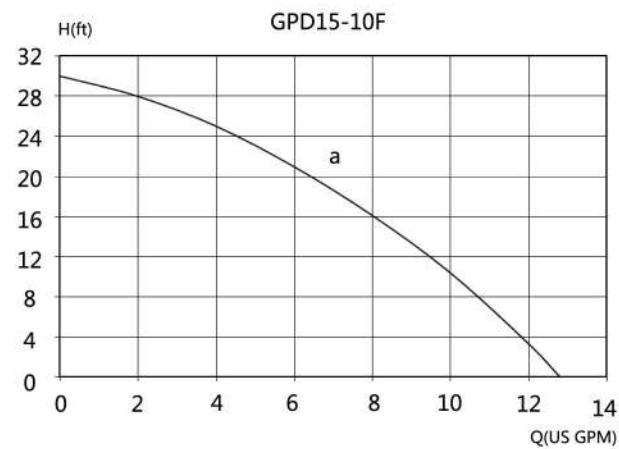
Model Type:GPD15-10F



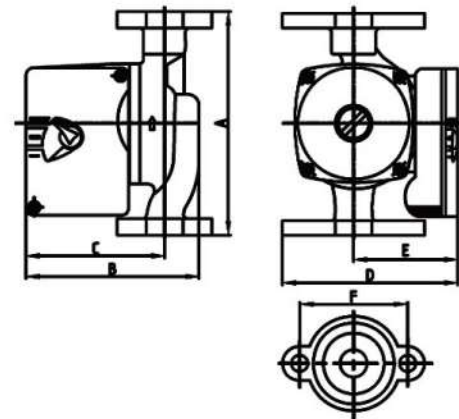
• Note

1. motors: 2-pole.single-phase
2. Liquid Temperature:32°F~230°F (0°C~110°C)
3. Max.system pressure:145psi(1MPa)
4. can provide bronze pump body for open-type system

• Performance Curve



• Installation Drawing



• Performance Parameter Form

Model Type	Flow range(gpm)	Head range(feet)	Votls(V)	Amps(A)	Watts(W)	Capacitor	Curve	System type	Grundfos Model
GPD15-10F	12	31	115	1	120	10uf/250V	a3	Closed	UP15-100F
			230	0.5	120	3uf/450V			

• Installation Size Form

Model type	A	B	C	D	E	F	Connection type and size	Shipping weight(ibs)
GPD15-10F	6 1/2	5 3/8	4	5 1/16	3	3 5/32	GF 15 flange (2) 1/2" dia. bolt bores	7 1/4

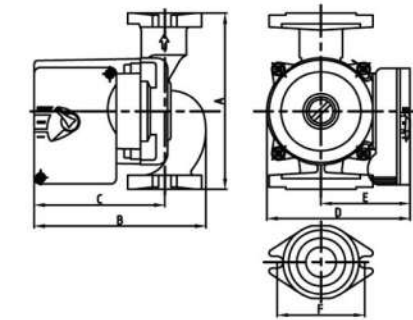
Model Type:GPD25-10SFC,GPD25-7.5SFC



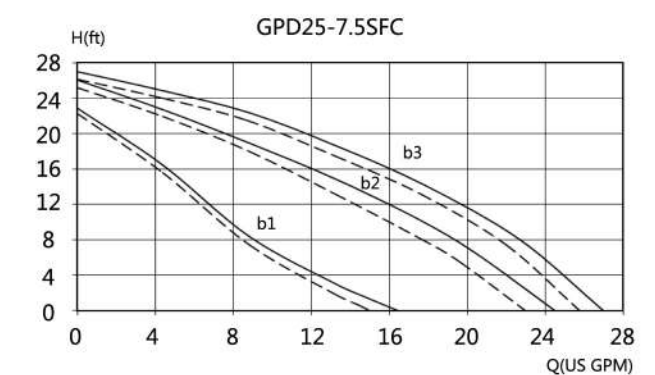
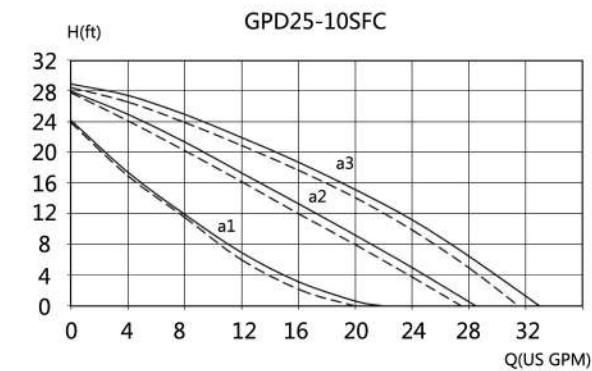
• Note

1. motors: 2-pole.single-phase
2. Liquid Temperature:32°F~230°F (0°C~110°C)
3. Max.system pressure:145psi(1MPa)
4. can provide bronze pump body for open-type system

• Installation Drawing



• Performance Curve



"—" without check valve, "-----"with check valve

• Performance Parameter Form

Model Type	Flow range(gpm)	Head range(feet)	Votls(V)	Amps(A)	Watts(W)	Capacitor	Curve	System type	Grundfos Model
GPD25-7.5SFC	27	27	115	1.6/1.5/1.3	185/170/135	20UF/450V	a3/a2/a1	Closed	UP26-64F
			230	0.8/0.75/0.65	185/170/135	5uf/450V			
GPD25-10SFC	32	30	115	1.8/1.7/1.2	200/190/135	20uf/200V	b3/b2/b1	Closed	UPS26-99BFC
			230	0.9/0.85/0.6	200/190/135	5uf/450V			

• Installation Size Form

Model type	A	B	C	D	E	F	Connection type and size	Shipping weight(ibs)
GPD25-7.5SFC	6 1/2	6	4 3/4	5 5/16	3 1/4	3 5/32	GF 25 flange (2) 1/2" dia. bolt bores	11 1/4
GPD25-10SFC								

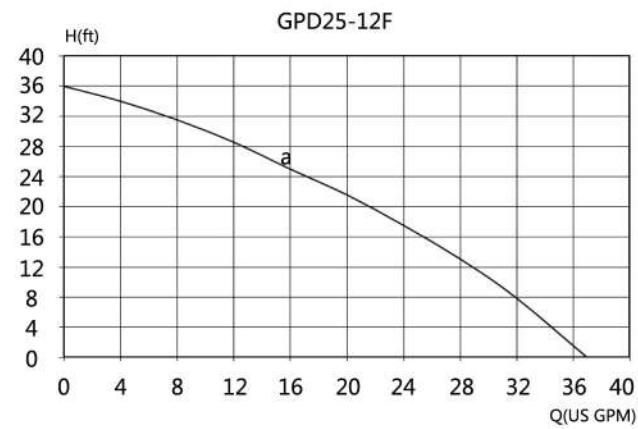
Model Type:GPD25-12F



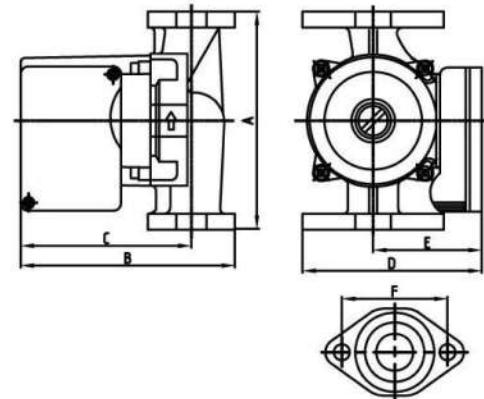
• Note

- 1、motors: 2-pole.single-phase
- 2、Liquid Temperature:32°F~150°F (0°C~65°C)
- 3、Max.system pressure:145psi(1MPa)
- 4、 can provide bronze pump body for open-type system

• Performance Curve



• Installation Drawing



• Performance Parameter Form

Model Type	Flow range(gpm)	Head range(feet)	Volt(s)(V)	Amps(A)	Watts(W)	Capacitor	Curve	System type	Grundfos Model
GPD25-12F	36	36	230	1.5	335	6uf/450V	a	Closed	UP26-116BF

• Installation Size Form

Model type	A	B	C	D	E	F	Connection type and size	Shipping weight(ibs)
GPD25-12F	6 1/2	6 3/8	5 1/16	5 3/8	3 1/4	3 5/32	GF 25 flange (2) 1/2" dia. bolt bores	12 1/2

Model Type:GPD25-12U



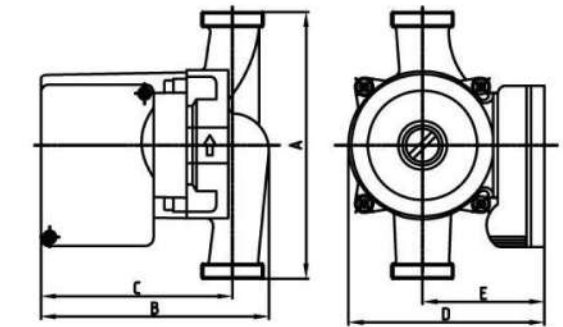
• Note

- 1、motors: 2-pole.single-phase
- 2、Liquid Temperature:36°F~230°F (2°C~110°C)
- 3、Max.system pressure:145psi(1MPa)

• Performance Curve



• Installation Drawing



• Performance Parameter Form

Model Type	Flow range(gpm)	Head range(feet)	Volt(s)(V)	Amps(A)	Watts(W)	Capacitor	Curve	System type	Grundfos Model
GPD25-12U	19	38	115	2	230	20uf/200V	a	Closed	UP26-120U
			230	1	230	5uf/450V			

• Installation Size Form

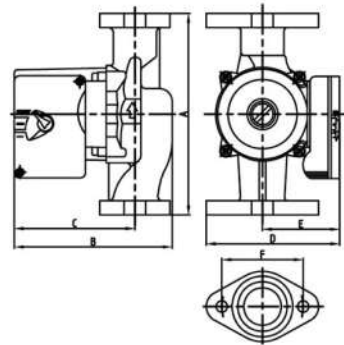
Model type	A	B	C	D	E	F	Connection type and size	Shipping weight(ibs)
GPD25-12U	7 1/16	5 7/8	5 1/16	5 1/4	3 1/4		GF 125 union-1 1/4" NPSM	10 1/2

Model Type: GPD40-4SFC, GPD40-7.5SFC

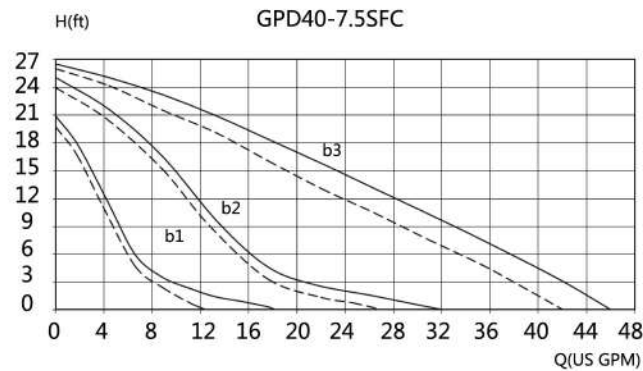
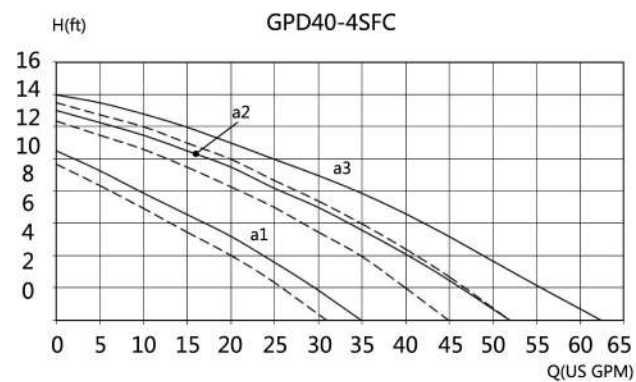


- Note
 1. motors: 2-pole.single-phase
 2. Liquid Temperature:32°F~230°F (0°C~110°C)
 3. Max.system pressure:145psi(1MPa)
 4. can provide bronze pump body for open-type system

• Installation Drawing



• Performance Curve



"—" without check valve, "-----"with check valve

• Performance Parameter Form

Model Type	Flow range(gpm)	Head range(feet)	Votls(V)	Amps(A)	Watts(W)	Capacitor	Curve	System type	Grundfos Model
GPD40-4SFC	62	14	115	1.8/1.7/1.2	200/190/135	20uf/200V	a3/a2/a1	Closed	UPS43-44FC
			230	0.9/0.85/0.6	200/190/135	5uf/450V			
GPD40-7.5SFC	44	26	115	2.0/1.7/1.2	230/190/135	20uf/200V	b3/b2/b1		UPS43-75FC
			230	1.0/0.85/0.6	230/190/135	5uf/450V			

• Installation Size Form

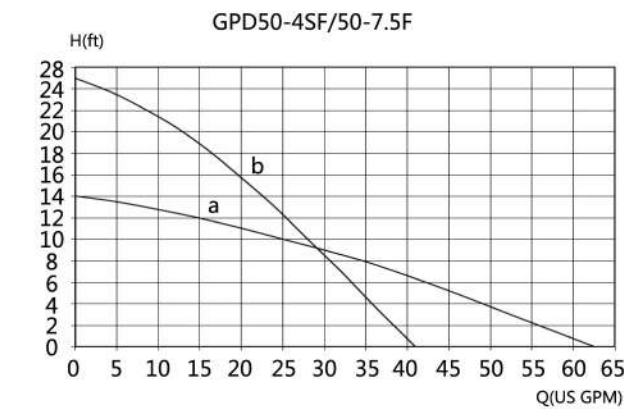
Model type	A	B	C	D	E	F	Connection type and size	Shipping weight(ibs)
GPD40-4SFC	8 1/2	6 11/16	5 1/8	5 5/8	3 1/4	3 7/16	GF 40 flange (2) 1/2" dia. bolt bores	13 1/2
GPD40-7.5SFC								

Model Type: GPD50-7.5F, GPD50-4SF

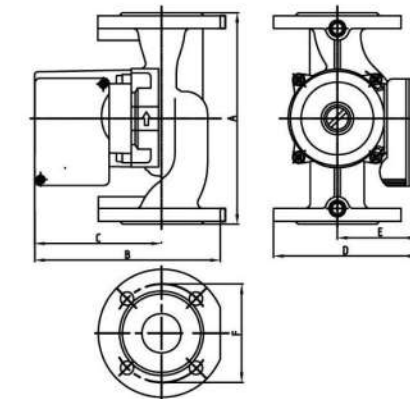


- Note
 1. motors: 2-pole.single-phase
 2. Liquid Temperature:36°F~230°F (2°C~110°C)
 3. Max.system pressure:145psi(1MPa)

• Performance Curve



• Installation Drawing



• Performance Parameter Form

Model Type	Flow range(gpm)	Head range(feet)	Votls(V)	Amps(A)	Watts(W)	Capacitor	Curve	System type	Grundfos Model
GPD50-4SF	62	13	230	1.8	200	5uf/450V	a	Closed	UP50-44F
			115	0.9	200	20UF/200V			
GPD50-7.5F	40	25	230	1	230	5uf/450V	b		UP50-75F
			115	2	230	20UF/200V			

• Installation Size Form

Model type	A	B	C	D	E	F	Connection type and size	Shipping weight(ibs)
GPD50-4SF	8 1/2	7 1/2	5 1/16	5 7/8	3 1/4	4 3/8	GF 50 flange (4) 1/2" dia. bolt bores	15
GPD50-7.5F								

Model Type

GPA15-5.5FC



This is the next-generation circulator. With its permanent magnet motor design, this energy efficient circulator reduces power consumption by 50% or more. The unique featured AUTO mode feature controls pump performance automatically within defined performance range, ensuring lowest possible energy consumption without sacrificing comfort.

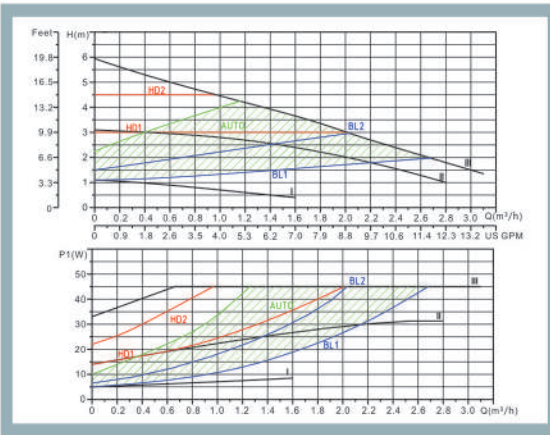
Features:

- * Auto-adjusting running mode for variety systems.
- * Compact design, whisper quiet, maintenance-free.
- * Pre-installed electric line cord and 3-prong plug for easy installation.
- * Large display shows current energy consumption in Watts.
- * One button to change running mode.
- * Cast iron or Stainless steel pump body for designed system type.
- * Removable check valve optional.
- * Includes 2 Gaskets(O-Rings).

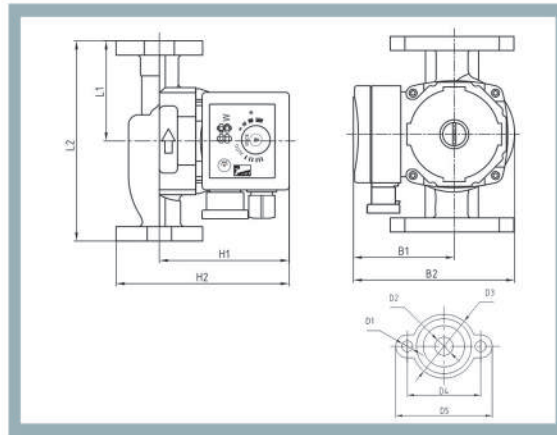
SAVE ENERGY

SAVE YOUR BUDGET

> Performance Curve



> Installation Drawing



> Technical Specification

Model Type	Power (W)	Max.Flow (US GPM)	Max.Head (FEET)	Volts(V)	Rated Current (A)	Material			
						CastIron	Plastic	Copper	Stainless steel
GPA15-5.5FC	0-45	20	19.5	115	0.60	●		●	●

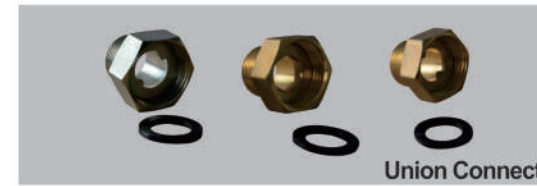
> Dimension and Weight

Model Type	Dimension(mm)											Weight(KG)	
	L1	L2	B1	B2	H1	H2	D1	D2	D3	D4	D5	N.W.	G.W.
GPA15-5.5FC	81	162	82	132	105	140	φ12	φ15	φ70	80	105	CI-3.8	CI-2.7

Accessories



Model	Size	Material
FLG075	3/4" NPT	Cast Iron
FLG100	1" NPT	Cast Iron
FLG125	1 1/4" NPT	Cast Iron
FLG150	1 1/2" NPT	Cast Iron



Model	Size	Material
UN1F34M	1" FNPT x 3/4" NPT	Carbon Steel, Copper
UG1F34M	1" FBSP x 3/4" BSP	SSTL, WITH GASKET



Model	Size	Material
UN1F34F	1" FNPT x 3/4" FNPT	Carbon Steel, Copper
UG1F34F	1" FBSP x 3/4" FBSP	SSTL, WITH GASKET



Model	Size	Material
FS-1000	1" FBSP x 1"BSP	Copper
FS-3400	1" FBSP x 3/4"BSP	
FS-3401	3/4" FBSP x 3/4"BSP	
FS-1200	3/4" FBSP x 1/2"BSP	



Model	For
CV-25	GPD15
CV-32	GPD25
CV-40	GPD40



Model	For
TM-0001	GPD Series



Model	Description
EC-0001	5 Feet Cable, with 3 Prong Plug
ECS-0001	5 Feet Cable, with 3 Prong Plug, Flow Switch